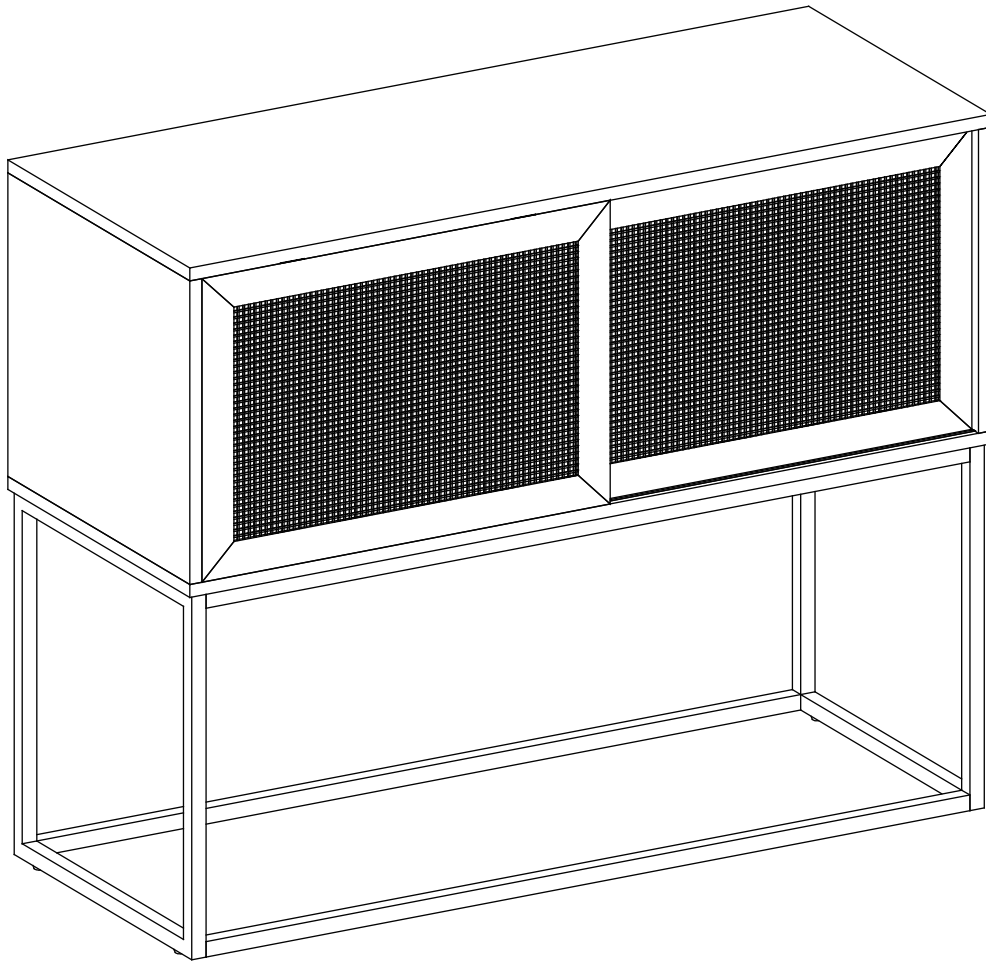


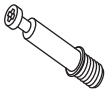



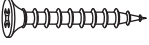


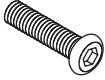
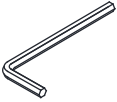





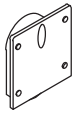
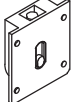
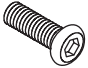

Sideboard



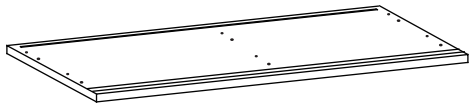
ASSEMBLY INSTRUCTION

Date last updated:05-07-2022

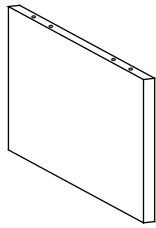
HARDWARE LIST

A		B		C		D	
6 PCS	 Ø6x35mm	6 PCS	 Ø15x10mm	12 PCS	 Ø6x30mm	8 PCS	
E		F		G		H	
8 PCS	 Ø4x35mm	32 PCS	 Ø3x14mm	6 PCS	 Ø6x30mm	8 PCS	 Ø6x30mm
I		J		K		L	
1 PC	 M4mm	4 PCS		4 PCS	 Ø3x16mm	2 PCS	
M		N		O		P	
2 PCS	 Ø6x30mm	2 PCS	 Ø4x14mm	4 PCS		4 PCS	
Q		R					
6 PCS	 Ø6x25mm	4 PCS					

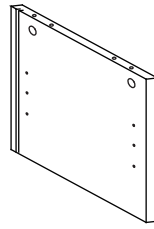
PARTS LIST



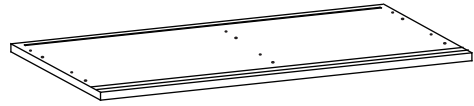
1 - 1 PC



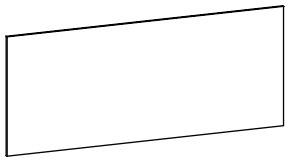
2 - 1 PC



3 - 1 PC



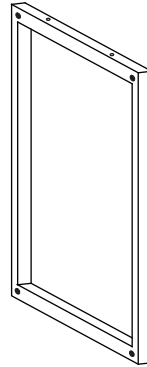
4 - 1 PC



5 - 1 PC



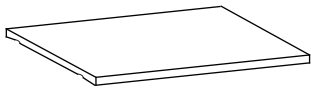
6 - 2 PCS



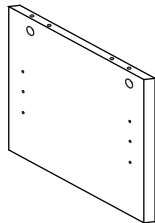
7 - 2 PCS



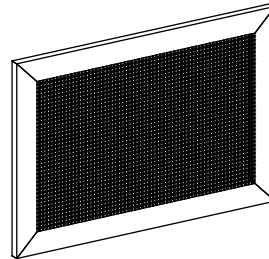
8 - 2 PCS



9 - 2 PCS



10 - 1 PC

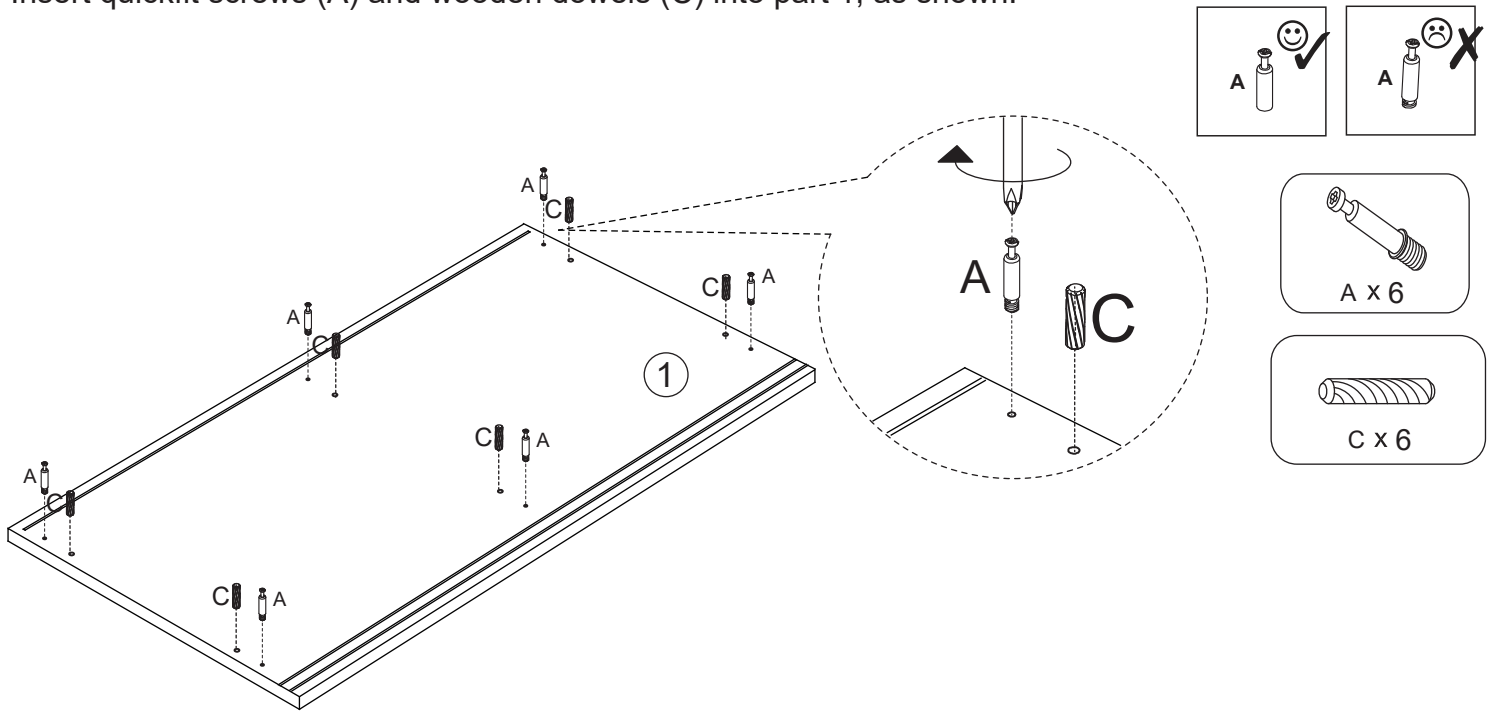


11 - 2 PCS

ASSEMBLY STEPS

STEP 1.

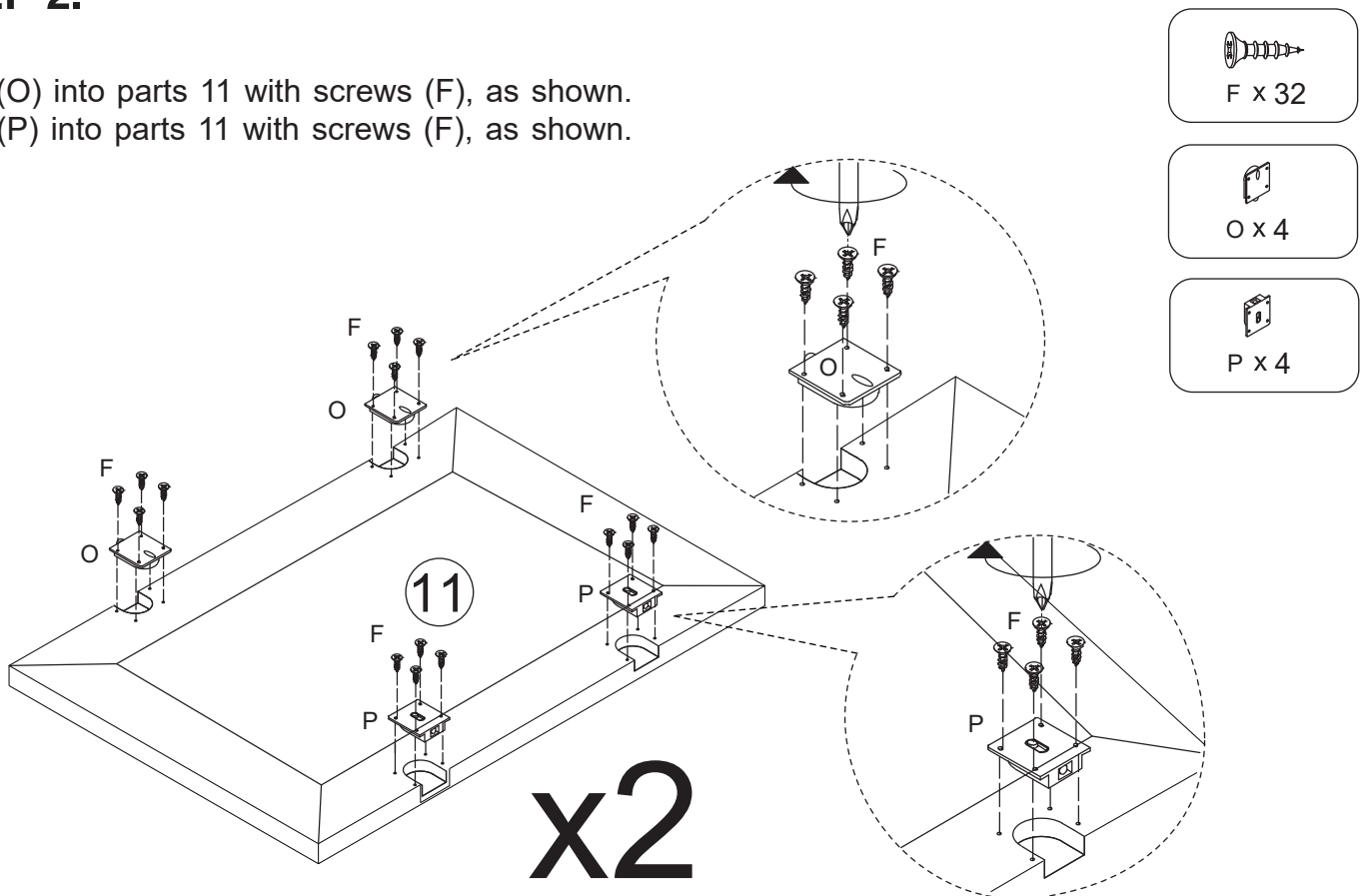
Insert quickfit screws (A) and wooden dowels (C) into part 1, as shown.



STEP 2.

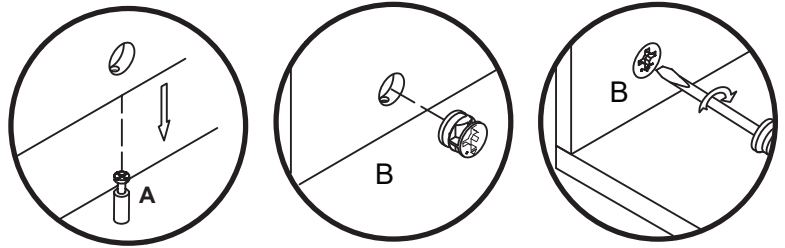
Lock (O) into parts 11 with screws (F), as shown.

Lock (P) into parts 11 with screws (F), as shown.



ASSEMBLY STEPS

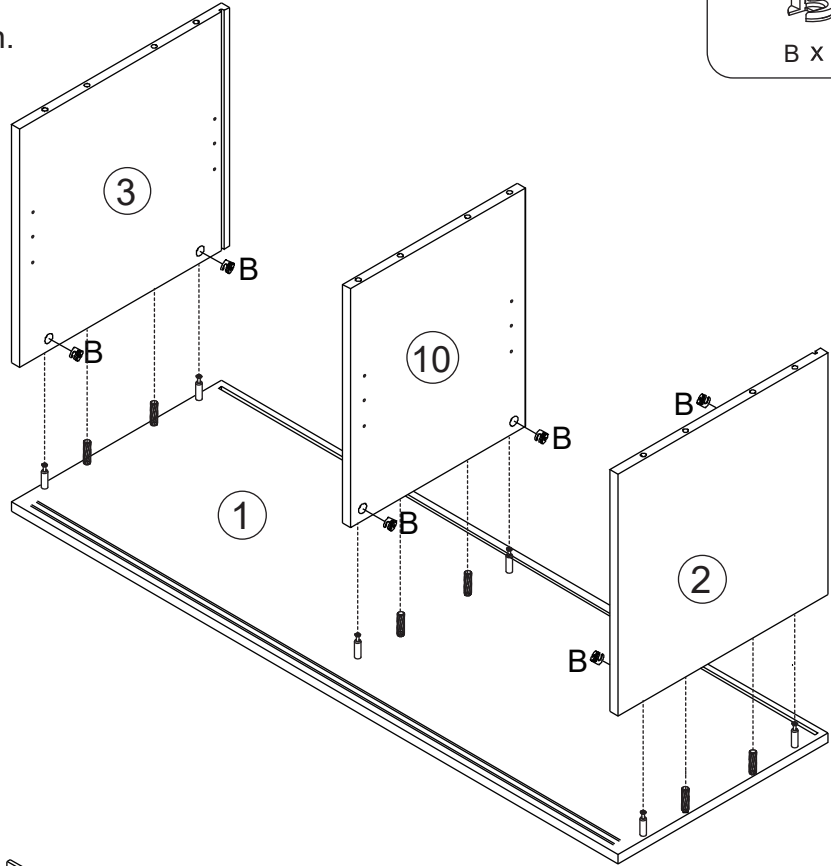
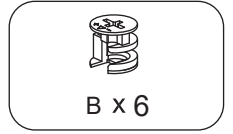
STEP 3.



Insert cam locks (B) into parts 2, 3 and 10, as shown.

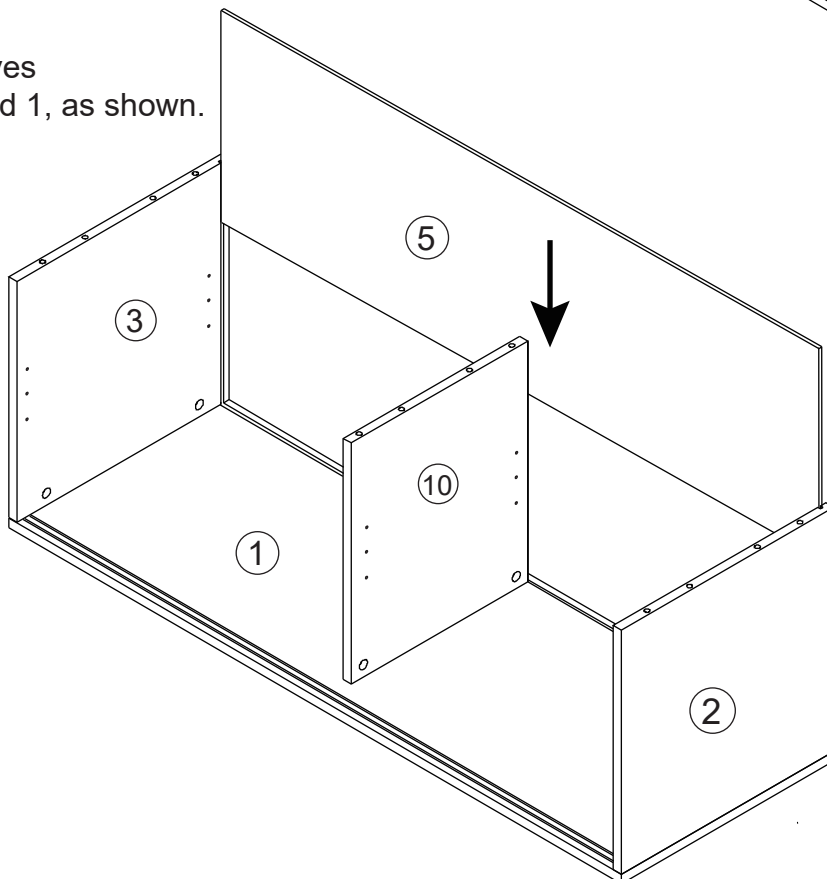
Fit parts 2, 3 and 10 to part 1, as shown.

Turn cam locks clockwise to tighten.



STEP 4.

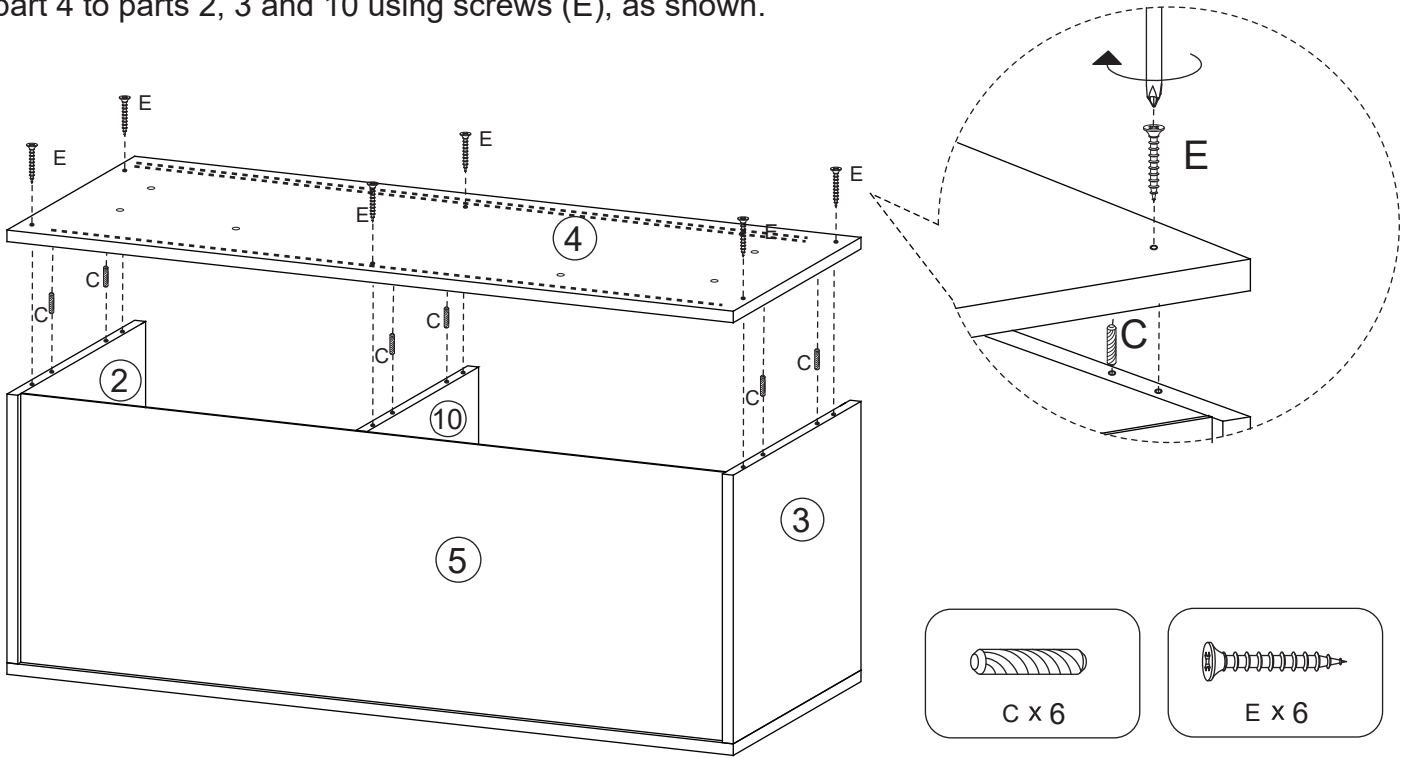
Slide part 5 into grooves between parts 3, 2 and 1, as shown.



ASSEMBLY STEPS

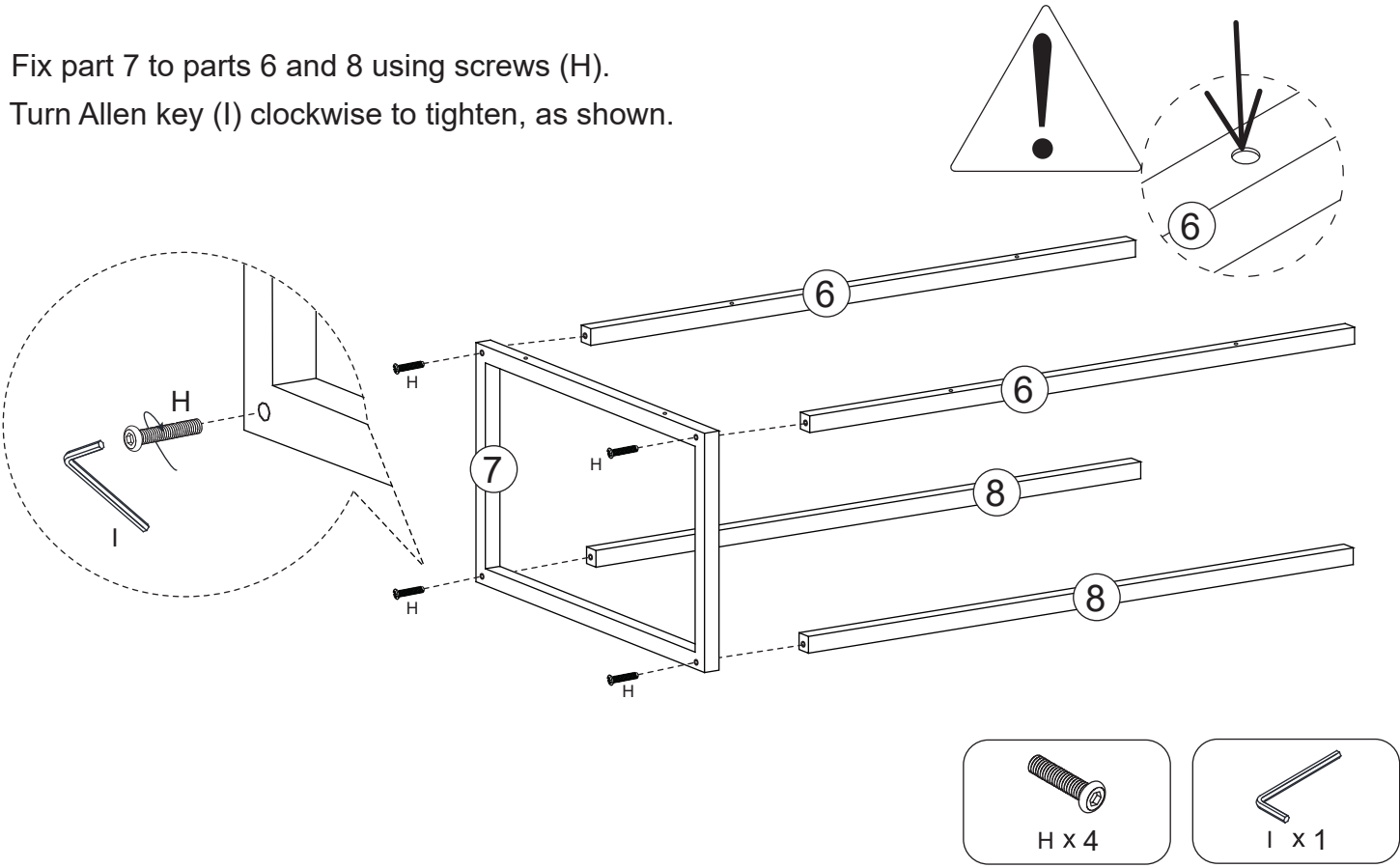
STEP 5.

Insert wooden dowels (C) to parts 2, 3 and 10.
Fix part 4 to parts 2, 3 and 10 using screws (E), as shown.



STEP 6.

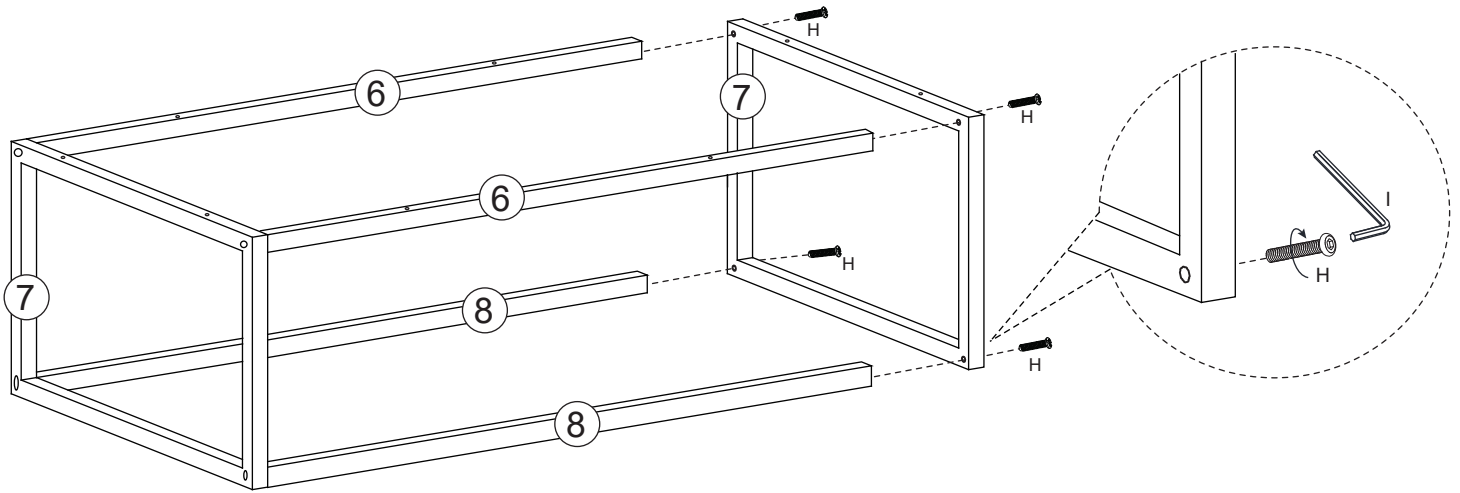
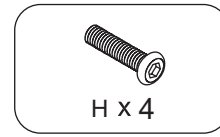
Fix part 7 to parts 6 and 8 using screws (H).
Turn Allen key (I) clockwise to tighten, as shown.



ASSEMBLY STEPS

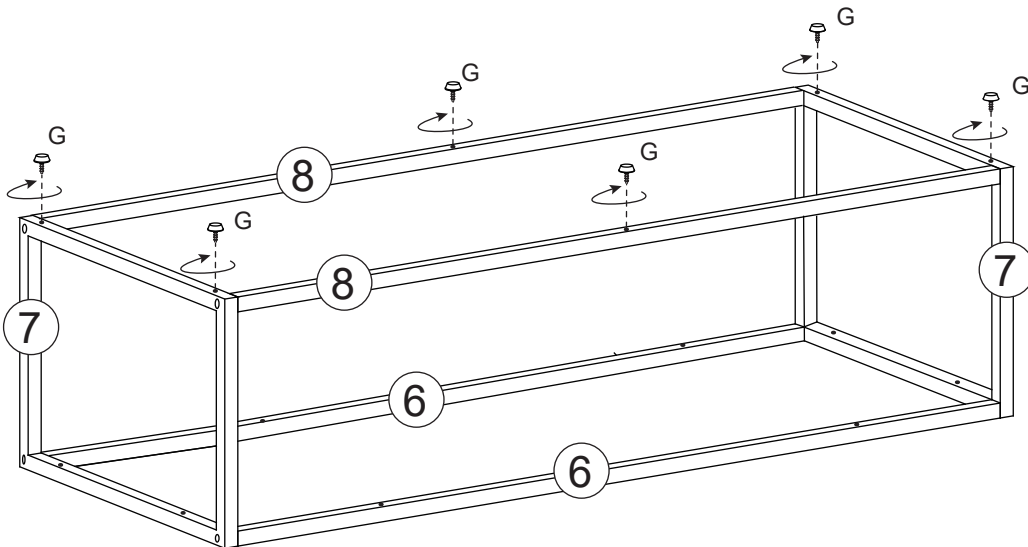
STEP 7.

Fix part 7 to parts 6 and 8 using screws (H).
Turn (I) clockwise to tighten, as shown.



STEP 8.

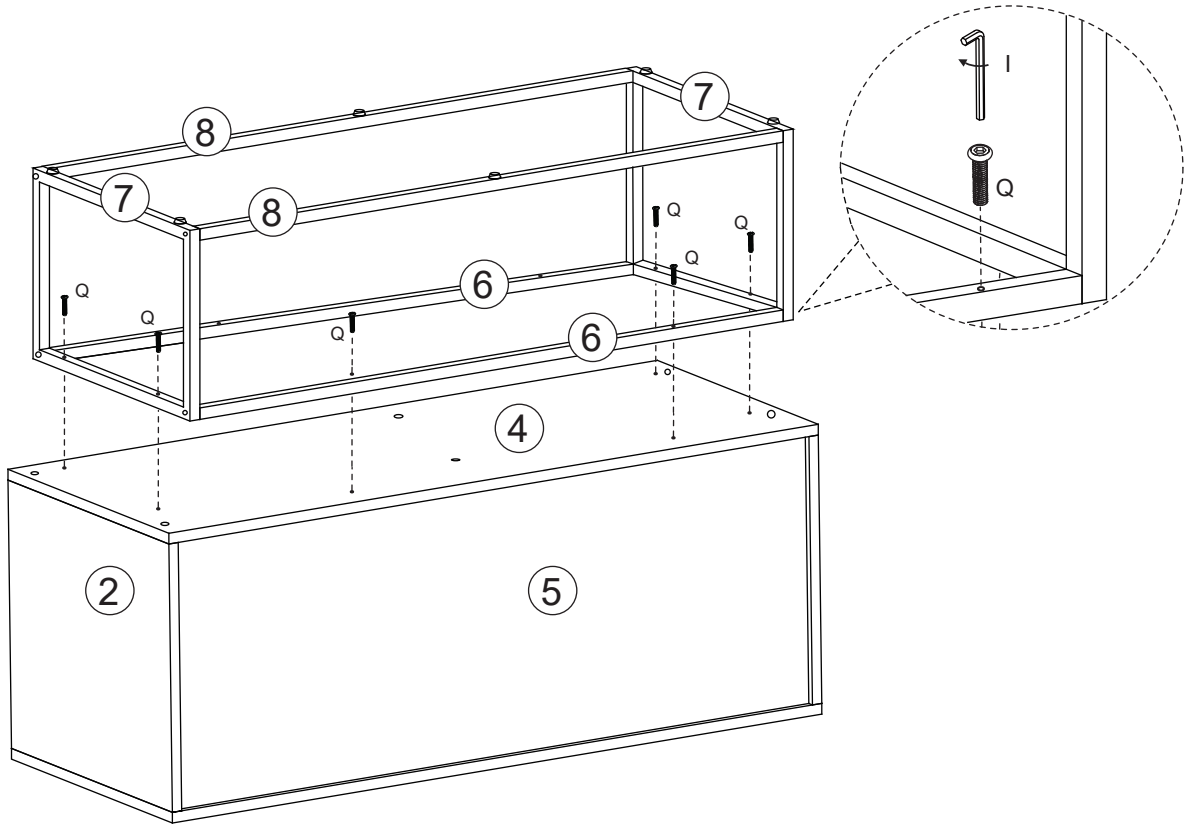
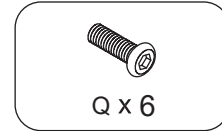
Insert Foot nails (G) to parts 7 and 8, as shown.



ASSEMBLY STEPS

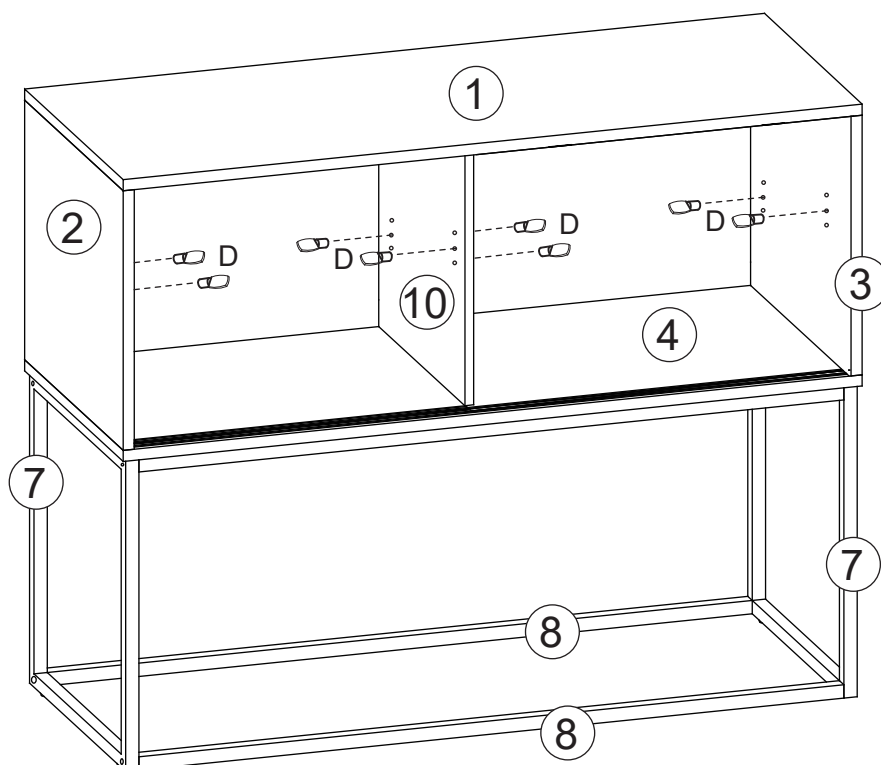
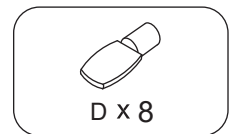
STEP 9.

Fix Iron frame to part 4 using screws (Q).
Turn Allen key (I) clockwise to tighten, as shown.



STEP 10.

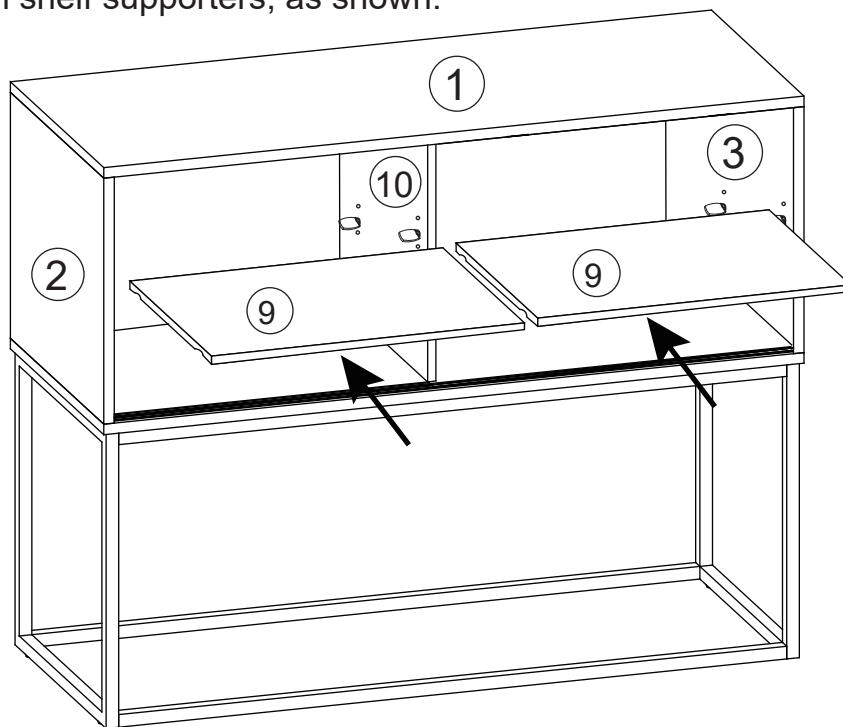
Fit shelf supportors (D) to the inside of parts 2, 10 and 3, as shown.



ASSEMBLY STEPS

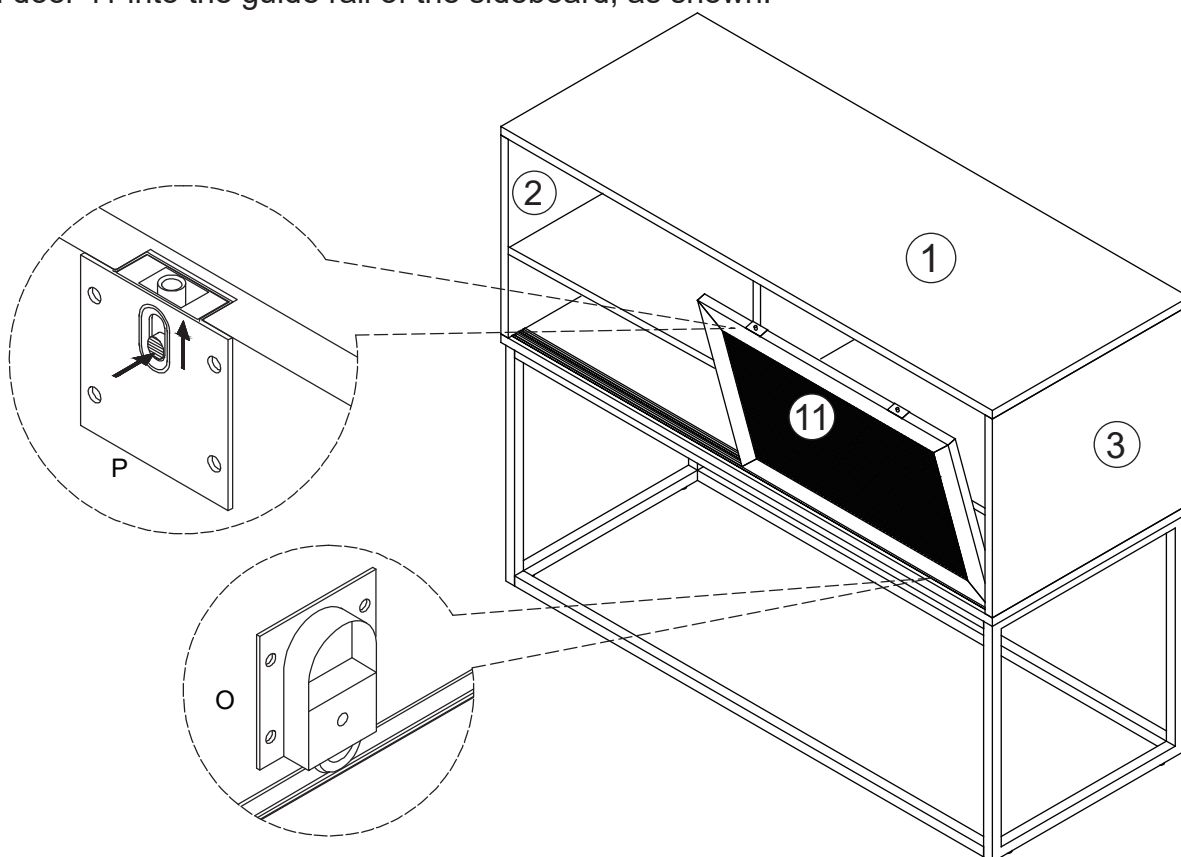
STEP 11.

Place parts 9 on shelf supporters, as shown.



STEP 12.

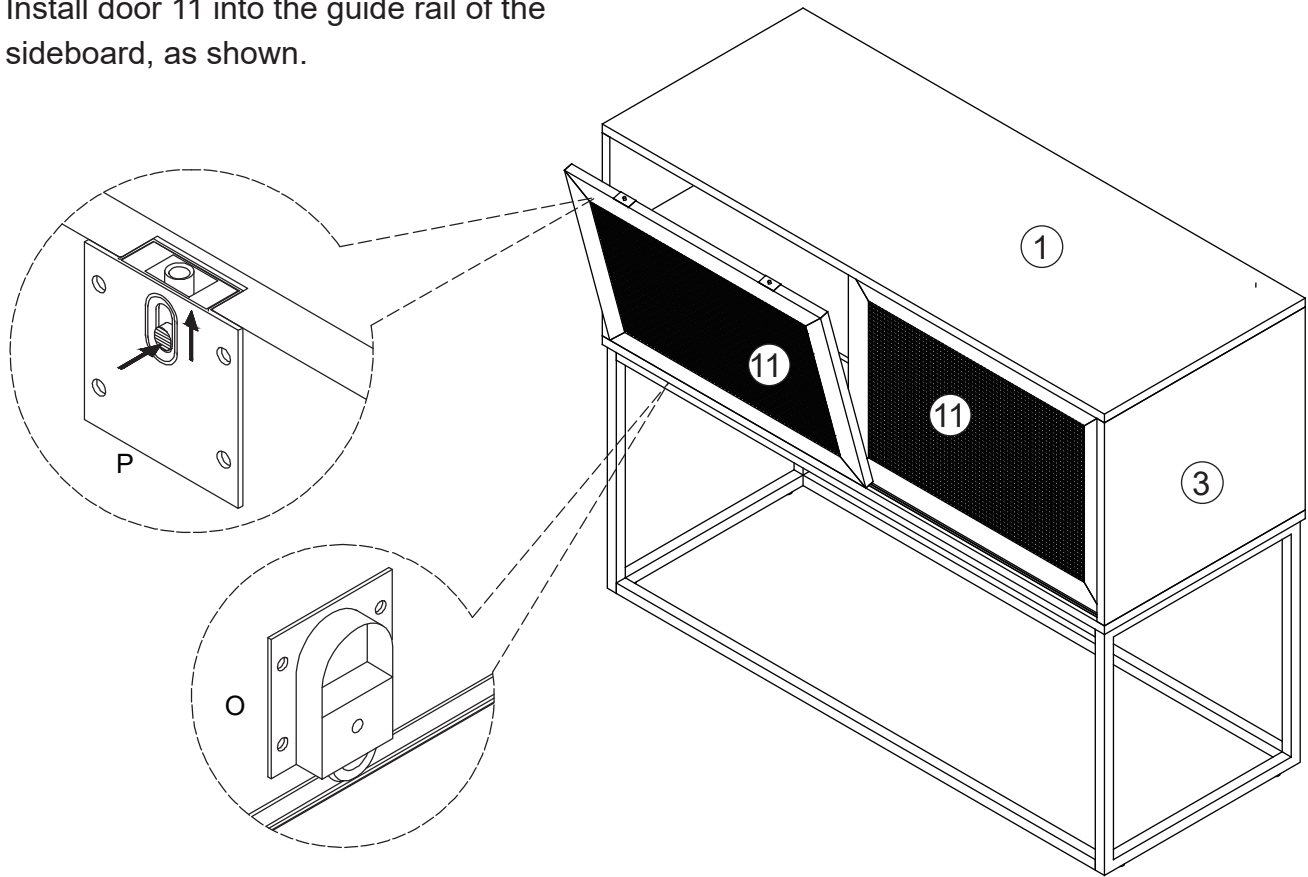
Install door 11 into the guide rail of the sideboard, as shown.



ASSEMBLY STEPS

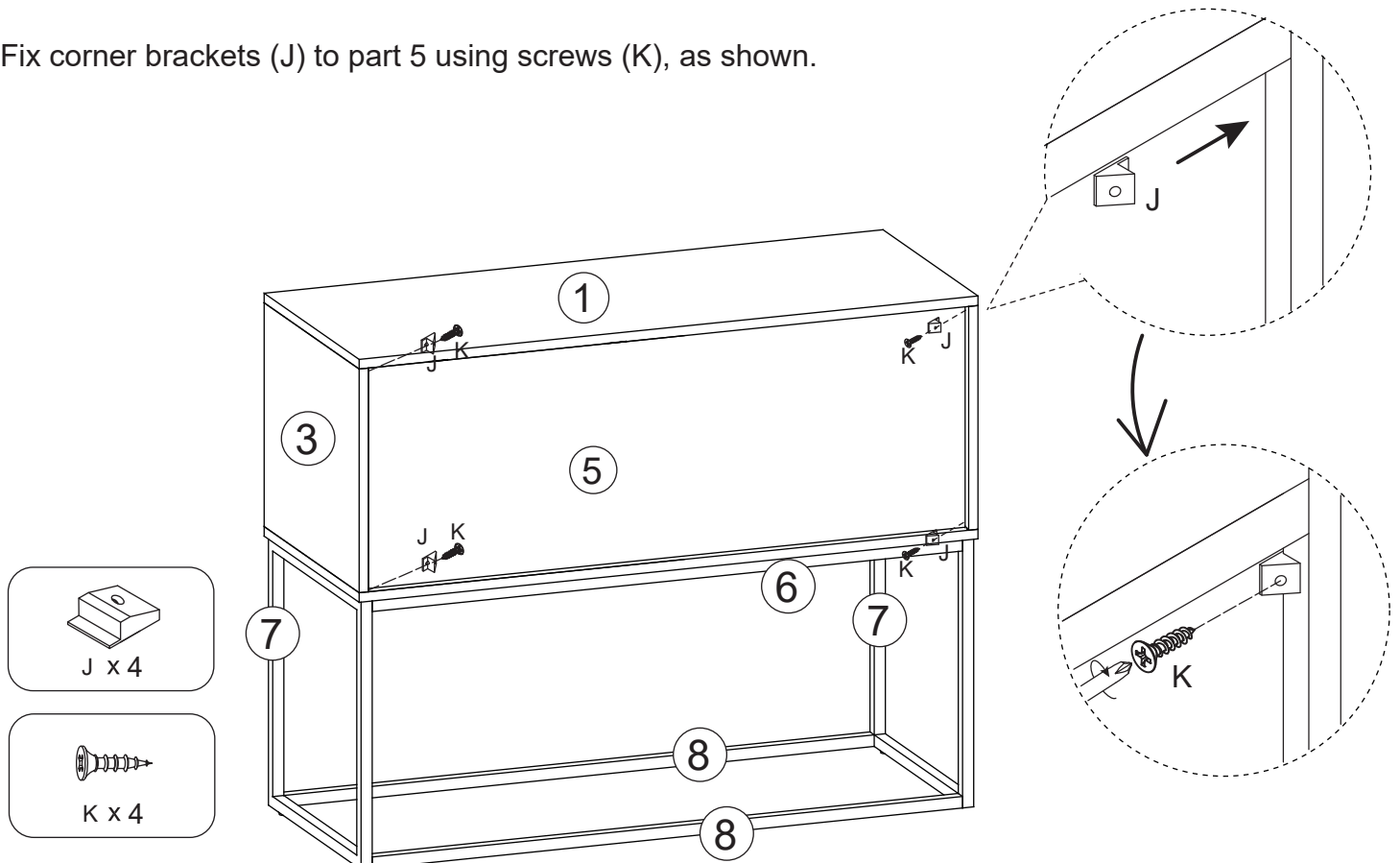
STEP 13.

Install door 11 into the guide rail of the sideboard, as shown.



STEP 14.

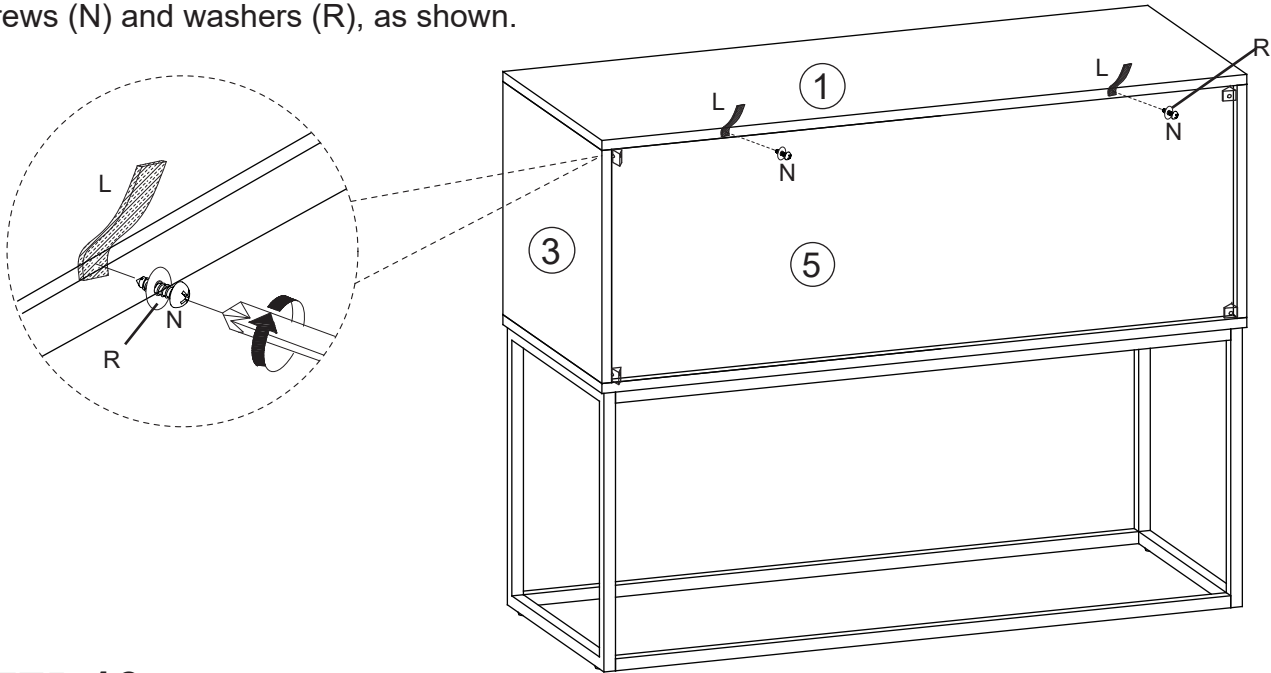
Fix corner brackets (J) to part 5 using screws (K), as shown.



ASSEMBLY STEPS

STEP 15.

Fix wall straps (L) on to assembled unit using screws (N) and washers (R), as shown.



STEP 16.

For extra stability, it is recommended that you fix your sideboard to the wall using additional hardware (E, R and M), as shown.

Should you choose not to affix the product to the wall, serious injury may be caused if the product tips over.

